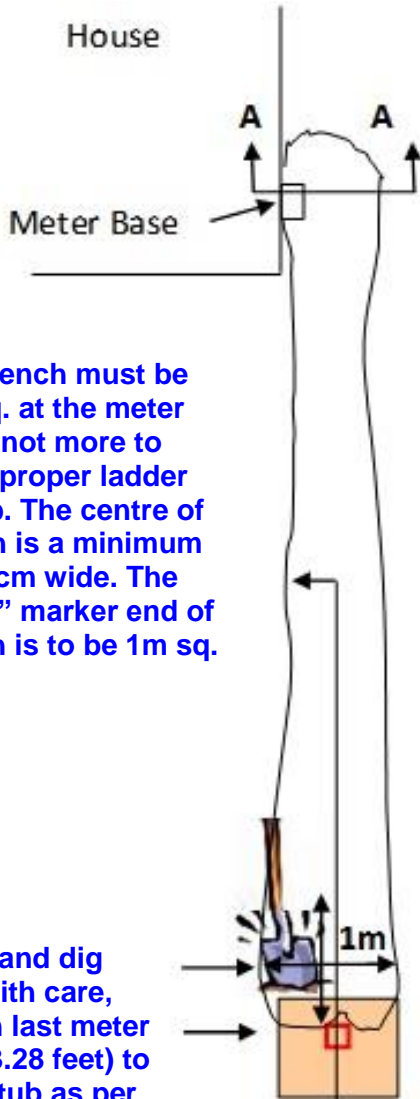


Trench Specification Guide

Note: This sketch is of a new installation with no other services in the trench.
 If other services are present service locates and hand dig **with care** is required.

“Hand dig” means to excavate using a shovel with a wooden or an insulated handle, not including picks, bars, or other earth piercing devices.

Aerial View of Trench

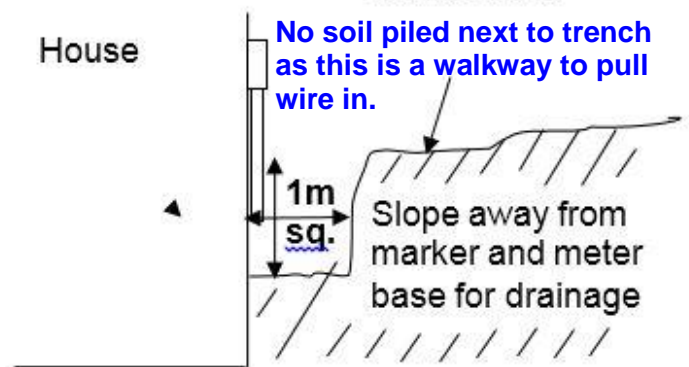


The trench must be 1m sq. at the meter base, not more to allow proper ladder set up. The centre of trench is a minimum of 40 cm wide. The 3” x 3” marker end of trench is to be 1m sq.

Hand dig with care, in last meter (3.28 feet) to Stub as per Electrical Safety Authority’s “Guideline for Vicinity of Distribution Lines” found at the following

If the electric wire is contacted, call (519) 745-4771 Ext. 6231

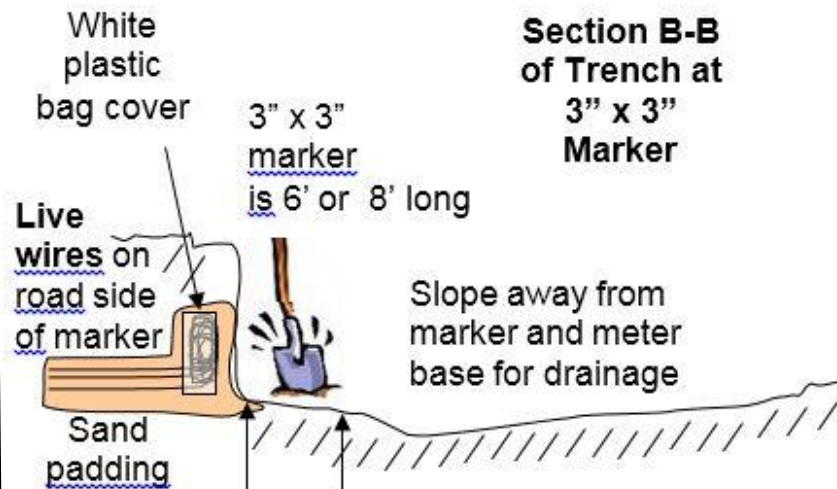
Section A-A Trench by Meter Base



No soil piled next to trench as this is a walkway to pull wire in.

Slope away from marker and meter base for drainage

Section B-B of Trench at 3” x 3” Marker



Hand dig with care in last meter (3.28 ft.) to stub as per Electrical Safety Authority’s “Guidelines for Excavating in the Vicinity of Distribution Lines” found at the following Web addresses. Hand dig horizontally, “peeling” off layers of dirt as you move toward the marker.

See: [Guideline for Excavation in the Vicinity of Utility Lines](#)
 If it cannot be found search for ESA Website for
 “Guideline for Excavation in the Vicinity of Utility Lines”
 For current Kitchener-Wilmot Hydro Conditions of Service
 for meter base installation etc. see:
[Conditions of Service](#)

CONDITIONS OF SERVICE

3.1.1.2 Underground Connection

Kitchener-Wilmot Hydro Inc. provides a basic connection to all residential customers. The Customer is responsible for the installation of all equipment and the provision of a trench/conduit for the installation of Kitchener-Wilmot Hydro Inc. service conductors on private property. The location of the service trench/conduit and, if required, transformation will be determined by Kitchener-Wilmot Hydro Inc. and indicated on a Service Design Layout prior to installation.

3.1.1.2.1 Secondary Service, 100 or 200 amp.

Demarcation Point: Connection to the line side of the customer's meter base.

Ownership & Maintenance Responsibilities:

- K-W Hydro:
- underground wire to the demarcation point.
 - meter and security devices.
- Customer:
- meter base and conduit
 - trench/conduit and landscaping on private property

Conditions of Service

- The Customer is responsible for digging, maintaining, and backfilling a trench for the installation of Kitchener-Wilmot Hydro Inc. service cables. The trench shall be 0.9 m in depth and a minimum of 20 cm wide.
- The Customer shall install sand bedding or duct for installation of the service cables. Sand bedding shall be 150 mm below and above the cables. The duct shall be 100 mm Type DB2 installed with a 3/8 inch polypropylene pulling rope and caps at both ends. The duct is to terminate 1 m from the meter location and at the property line. The remainder of the trench shall be backfilled with native excavated material that is clear of debris, rocks, etc.
- Where service cables cross a driveway or walkway, the cables shall be installed in duct.
- A 75 mm wide caution tape shall be installed in the centre of the trench at a depth equivalent to 300 mm – 450 mm from finish grade.
- The Customer is responsible for the installation of a 200 amp. four-jaw socket meter base.